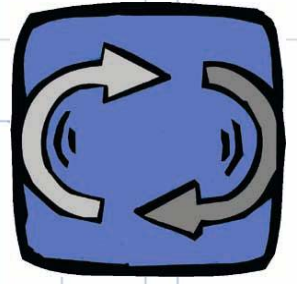


addendum delphi Ex



motive

power transmission





II 3 D T125°C



Reference list:

norm	edition	title
Directive 94/9/CE	1994-03	Equipment and Protective systems intended for use in Potentially Explosive Atmospheres. Safety requirements
CEI EN 50281-1-1	1999-11	Electrical apparatus for use in the presence of combustible dust. Part 1-1: Electrical apparatus protected by enclosures – Construction and testing
CEI EN 50281-1-1/A1	2002-10	
CEI EN 50281-2-1	1999-11	Electrical apparatus for use in the presence of combustible dust. Part 2-1: test methods – methods for determining the minimum ignition temperatures of dust
CEI EN 50281-1-2	1999-09	Electrical apparatus for use in the presence of combustible dust. Part 1-2: electrical apparatus protected by enclosures. Selection, installation and maintenance
CEI EN 50014	1998-06	Electrical Apparatus for potentially explosive atmospheres. General requirements.
CEI EN 50014/A1/A2	1999-08	

Field of application

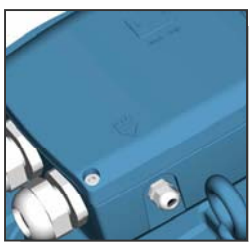
The person authorized to do the work is responsible for the zones sharing (Directive 1999/92/CE). He must follow the norm CEI EN 50281-1-2 when choosing the suitable motor
Motive Delphi Ex motors are designed to be used in the zone 22 (II 3 D T125°C) and for the voltage and frequency field A described by the norm EN 60034 part 1 Cap. 6.3.
The eventual dust deposits mustn't have a thickness > 5mm

Conformity declaration

The conformity declaration reported in this addendum, is the document that testifies the product conformity to the Directive 94/9/CE.
The validity of such certificate is related to the respect of the instructions specified in the use and maintenance manual, together with the following additional instructions.

Additional instructions

The persons authorized to do the work in an ambient exposed to explosion risk must be instructed about the right procedure for the use of the motor, respecting all norms related to safety, installation and use.
Motors must be protected against over-heating by suitable control means that must be chosen considering the working conditions, according to the norm EN60204-1.



In order to help such control, all Motive motors from size 160 up o size 355 are provided with 3 PTC thermistors 120-130°C

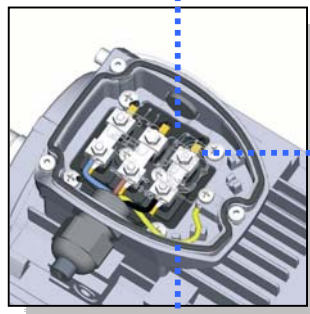
It is forbidden to open the terminal box to connect electric wires or make any intervention in presence of explosive atmosphere. Before any of such operations, disconnect the motor from the electric power supply and avoid the possibility of any accidental switching on of the motor.



Peculiar features of Delphi Ex motors, category 3 zone 22



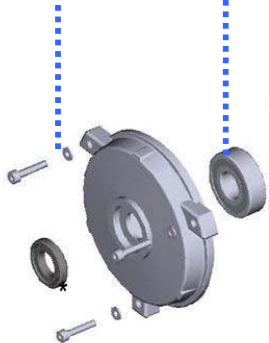
A technical manual attached to each motor



Terminals protected against corrosion, unscrewing and rotation

Earth connection inside the terminal box or on the housing

Dust exclusion 5X



high collision resistance



Shock absorbing rubber

fan cover IP20 on entry air side and e IP10 on exit

Anti-pulling cable gland

Limited surface temperature
Low magnesium percentage

manufacturer's mark

type description

protection index

www.motive.it **EFF2** **CE**
3~IEC 34-1

TYPE		N°				
I. CL.	IP	S 1	COSφ			
V	Hz	Hp	kW	rpm	A	

II 3 D
Tmax Surf. 125°C

YY/MM of production serial number

Protection against explosion

max surface temperature

Group II= surface industry,
Category 3= a place in which an explosive atmosphere in the form of a cloud of combustible dust in air is not likely to occur in normal operation but if it does occur, will persist for a short period only. Zone 22
D= protection against dust combustion.



motive

Motive s.r.l.
Via Artigianale, 110/112
25010 Montirone (BS)
Tel.: +39 030 2677087
Fax: +39 030 2677125
motive@e-motive.it
www.motive.it



II 3 D T125°C

Conformity declaration

Motive s.r.l. whose Head Office is situated in Montirone (BS) - Italy
declares, under its own exclusive responsibility,
that its whole range of

asynchronous electric motors of the series "Delphi Ex"

is conform to the design requirement contained in the international norm EN50281-1
for the products of Group II Category 3D (area 22)*
following the provisions of the Directives

ATEX 94/9/CE (ATEX 95)

1999/92/CE (ATEX 137)

The Legal Representative: Giorgio Bosio